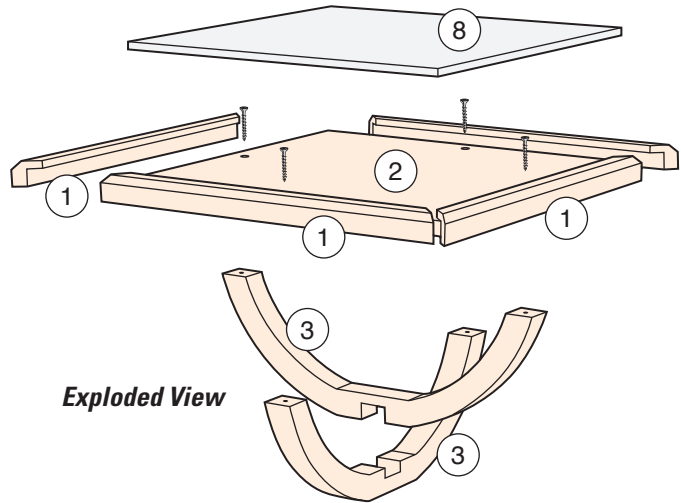
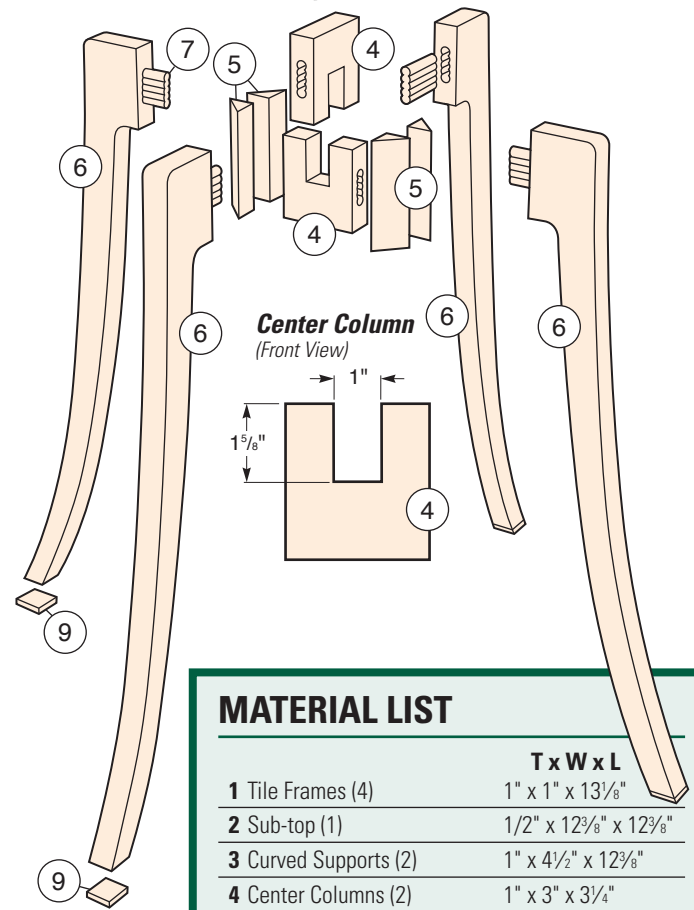


Each square = 1/2"



Exploded View

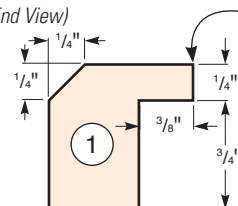


Center Column (Front View)

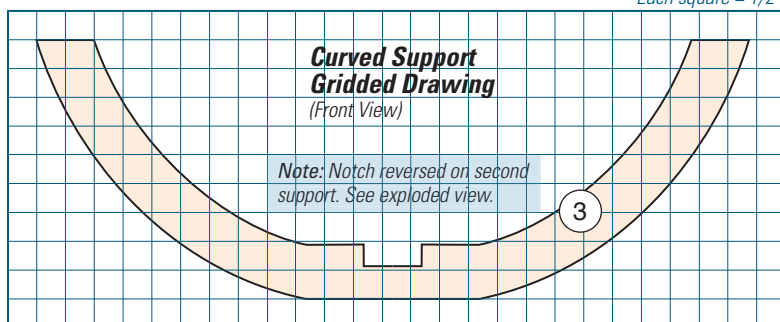
MATERIAL LIST

	T x W x L
1 Tile Frames (4)	1" x 1" x 13 1/8"
2 Sub-top (1)	1/2" x 12 3/8" x 12 3/8"
3 Curved Supports (2)	1" x 4 1/2" x 12 3/8"
4 Center Columns (2)	1" x 3" x 3 1/4"
5 Center Column Accents (4)	1" x 1" x 4 3/16"
6 Legs (4)	1" x 6 3/4" x 24 3/4"
7 Beadlock (4)	3/8" x 1 3/8" X 2"
8 Tile (1)	1/4" x 11 5/8" x 11 5/8"
9 Feet (4)	1/8" x 1" x 1"

Tile Frame (End View)



Note: The inner edge of the frame can be cut back to accommodate a larger tile.



Each square = 1/2"

Curved Support Gridded Drawing (Front View)

Note: Notch reversed on second support. See exploded view.