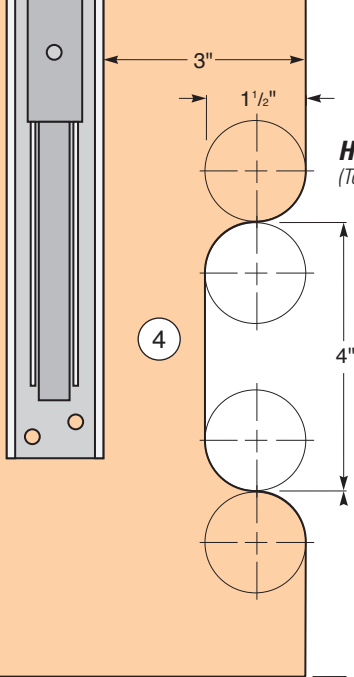


**Side and Back
Corner Detail**
(Top View)

NOTE: When mounting the desk to the wall, drive 3" deck screws through pilot holes in the back into wall studs.

MATERIAL LIST	
	T x W x L
1 Top and Bottom (2)	3/4" x 23/4" x 27"
2 Sides (2)	3/4" x 23/4" x 213/8"
3 Back (1)	3/4" x 205/8" x 261/4"
4 Desk (1)	3/4" x 187/8" x 261/8"



Handle Cutouts
(TopView)

Laying out the handle cutouts is really just a matter of joining pairs of 1/2"-dia. circles on each end of the shape: a quarter of one circle's circumference forms the outer curve of the cutout, and one quarter of the adjacent circle forms the inner curve. Make these handle cutouts at least 4" wide or as needed to suit your hand size.

Panel Cutting Diagram
(Top View)

